

Circuit Design Tools

Monday Lecture: 1:00-1:50 pm (April 23).

→ Morton 341 computer lab.

Tuesday Lab Section: 2:00-7:00 pm (April 24).

→ Tyler 105 computer lab.

Wednesday Lab Section: 1:00-6:00 pm (April 25).

→ Jones 203 computer lab.

HTML lab report

There are no design exercises this week.

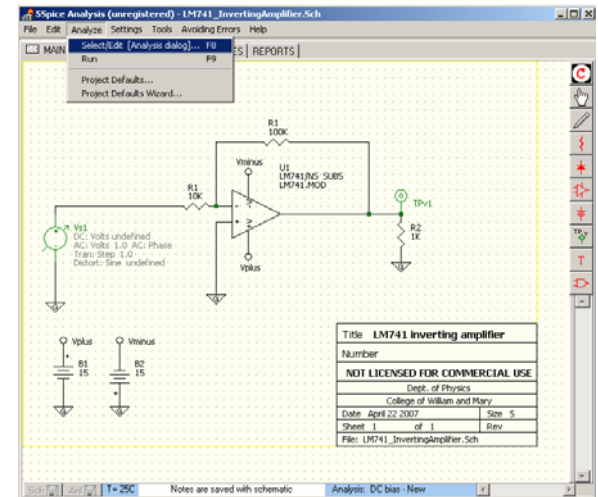
The lab report for this week's lab will be in the form of a webpage. The webpage should be in HTML (i.e. "filename.html"). You are free to use any webpage making program you wish, but extra credit will be awarded for those reports programmed directly in HTML.

The webpage should be hosted on your public H drive space. You should send a link to your "lab report webpage" by e-mail to the grader and the instructor by Monday, April 30 (midnight deadline).

There is no length limit on the lab report, but it should cover all the lab exercises.

Outline

- 5SPice circuit simulator.
 - Circuit diagram construction.
 - Circuit simulations.



- Eagle circuit layout editor
 - Circuit diagram construction.
 - PCB circuit layout.

