

HTML lab report

There are no design exercises this week.

The lab report for this week's lab will be in the form of a webpage. The webpage should be in HTML (i.e. "filename.html"). You are free to use any webpage making program you wish, but extra credit will be awarded for those reports programmed directly by you in HTML.

The webpage should be hosted on your public H drive space (i.e. if you name your webpage "index.html" and put it in the "public_html" folder of your H drive, then you can view at:

“ <http://username.people.wm.edu/> ”

You should send a link to your “lab report webpage” by e-mail to the grader and the instructor by Monday, April 27 (midnight deadline).

There is no length limit on the lab report, but it should cover all the lab exercises.

Don't know HTML but want to ...

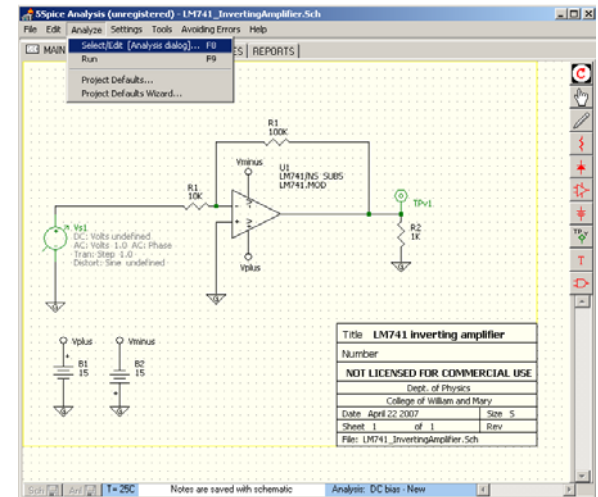
If you don't know HTML, but want to learn quickly how to (so you can get bonus points), then you can learn by example by following these steps:

- Go to the Physics 252 course webpage or any other simple webpage.
- Save the webpage to your computer and then view the HTML code by going to the View → Source menu (Internet Explorer).
- Your browser will open the source code in Notepad, so that you can edit it.
- You can then adapt this HTML code for your own webpage.
- To view your webpage, just double-click your filename, and it will open in your favorite browser.

→ If this is not enough use your favorite search engine to look for “HTML tutorial” links.

Outline

- 5SPice circuit simulator.
 - Circuit diagram construction.
 - Circuit simulations.



- Eagle circuit layout editor
 - Circuit diagram construction.
 - PCB circuit layout.

